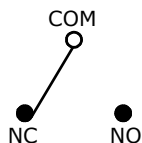
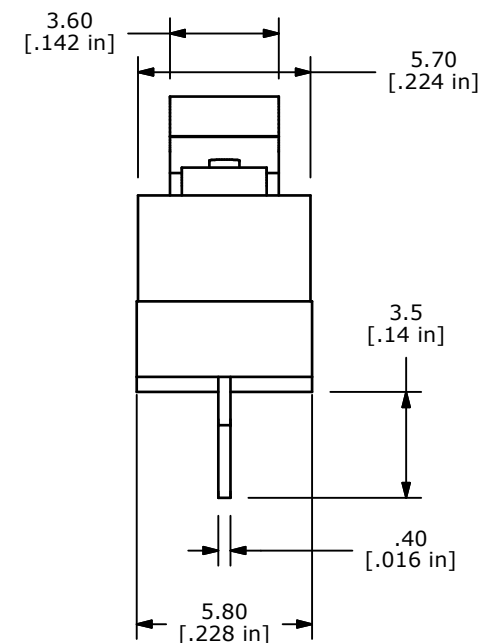
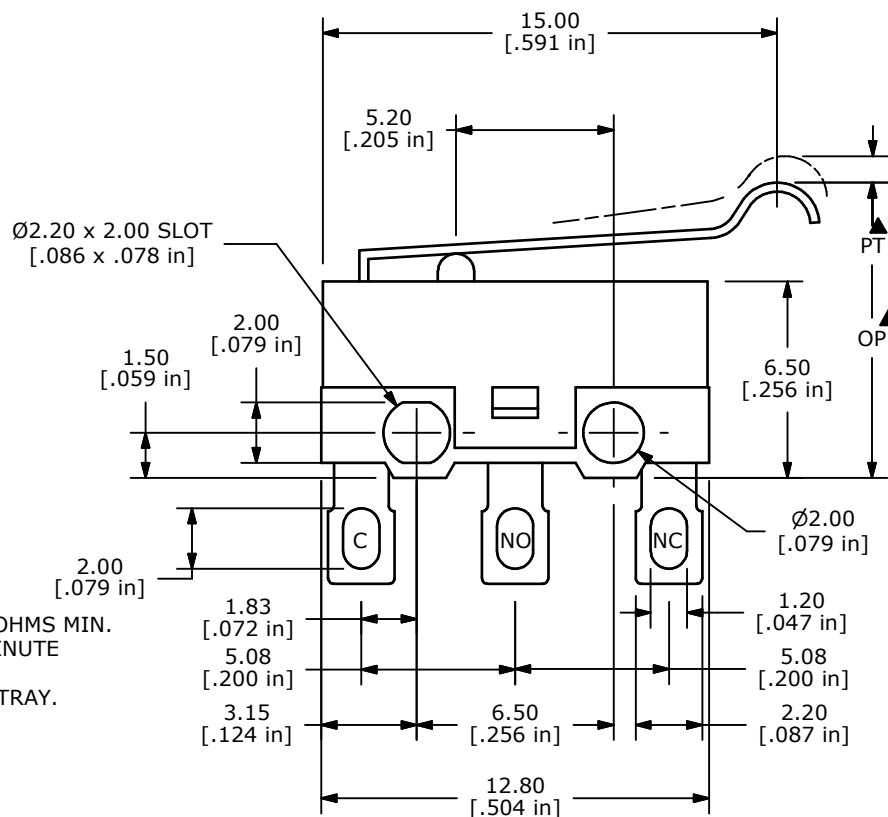
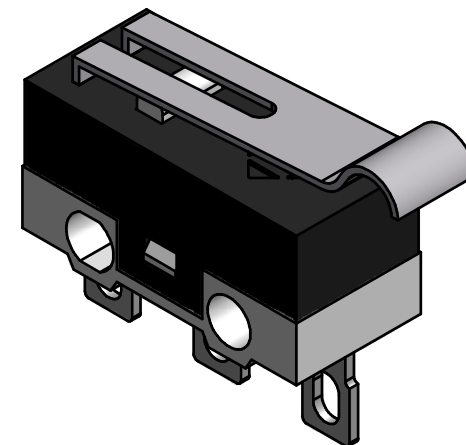
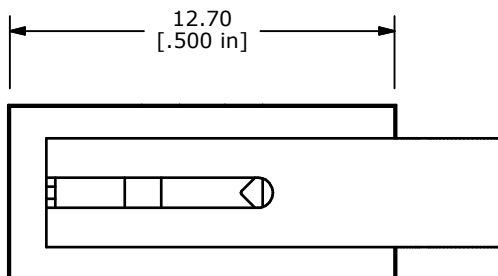


O.P. (MM)	P.T. (MM)
10.8±0.8	2.0 MAX.

O.P. = OPERATING POINT
P.T. = PRE-TRAVEL



CIRCUIT: SPDT



- NOTES:
1. ALL DIMENSIONS IN MM [INCH]
2. GENERAL TOLERANCE: X.X±0.4
X.XX±0.25

- ▲ 3. RATING: .1A @ 5 VDC
- 4. OPERATING FORCE: 35±15 GRAMS
- ▲ 5. OPERATING TEMP: -25°C TO 75°C
- 6. ELECTRICAL LIFE: 10,000 CYCLES MIN.
- 7. INSULATION RESISTANCE: 100 MEGA-OHMS MIN.
- 8. DIELECTRIC STRENGTH: 500VAC - 1 MINUTE
- 9. ▲ DENOTES CRITICAL PARAMETER.
- 10. PACKAGED IN TRAYS, 120 PIECES PER TRAY.
- 11. 2002/95/EC (ROHS) COMPLIANT



TITLE SS075Q102F035S1A

A	21259	RELEASE FOR PRODUCTION	10/9/13	EBP
REV	PCR NO	DESCRIPTION	DATE	BY

THE INFORMATION CONTAINED IN THIS DOCUMENT IS PROPRIETARY TO E-SWITCH AND IS NOT TO BE COPIED OR TRANSFERRED

SCALE	DATE	DR	DWG	REV
	10/9/2013	EBP	Q970137	A